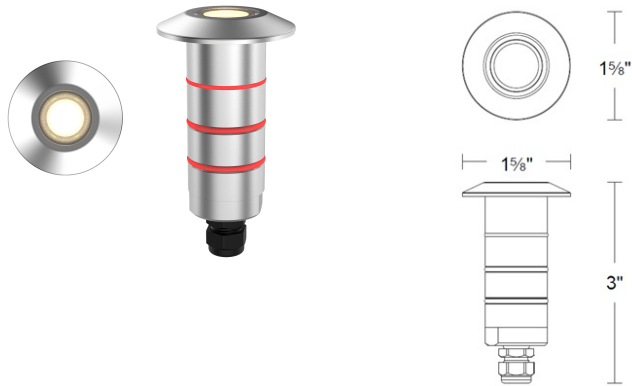


INDICATOR LIGHT

RM-1021

WAC®



Fixture Type:

Catalog Number:

Project: _____

Location: _____

PRODUCT DESCRIPTION

LED recessed inground indicator luminaire for both soft and hard ground applications available in 1" or 2" sizes with round, slim, slotted face plate options. The indicator light is perfect for indoor and outdoor applications, including wells and ponds, decks and patios, inground, as well as ceiling and wall applications. Factory sealed and IP68 Rated for Wet Locations or continuous immersion up to 5 meters underwater. Each indicator light includes 6' of low voltage burial cable, direct burial gel-filled wire nuts, and an optional spring retention clip. WAC power supply is required. Concrete Pour Kits are available for additional installation options.

FEATURES

- Construction: Die-cast stainless steel
- IP68 rated, suitable for continuous immersion under water
- Suitable for both indoor and outdoor such as shower, spa, sauna applications
- In-ground, ceiling and wall mountable
- Concrete pour kit available
- Remote power supply required (sold separately)
- 5 year warranty

SPECIFICATIONS

Input:	600mA 24V DC
Power:	2.0W
Light Source:	High output LED
Dimming:	Reference remote power supply specifications
Finish:	Trim: Stainless Steel, Bronze Stainless Steel Electrostatically Powder Coated Black, White Body: Stainless Steel
Rated Life:	50,000 hours
Mounting:	Cutout: 1-3/8" (use with spring clip)
Standards:	UL & cUL Wet Location listed, IP68 Title 24 JA8 Compliant

IEC Safety Standard	Walk Over	Drive Over
Resistance to static load test	Yes (1125lbs)	Yes (4496lbs)
Resistance to torque and shear loads test	N/A	Yes

ORDERING NUMBER

	Color Temp	Lumen Output	Finish
RM-1021 Indicator Light	27 2700K	90	BS Bronze on Stainless Steel
	30 3000K	95	SS Stainless Steel
			BK Black
			WT White

RM-1021-___-___

Example: **RM-1021-30-SS**

wacighting.com

Phone (800) 526.2588

Fax (800) 526.2585

Headquarters, East Manufacturing Facility

44 Harbor Park Drive

Port Washington, NY 11050

South East Manufacturing Facility

1600 Distribution Ct

Lithia Springs, GA 30122

Central Manufacturing Facility

1700 South J Elmer Freeway, Ste 100

Cedar Hill, TX 75104

West Manufacturing Facility

1750 S Archibald Ave

Ontario, CA 91761

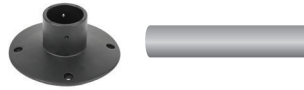
INDICATOR LIGHT

RM-1021

WAC®

MOUNTING ACCESSORY


1" Concrete Pour Adapter



For installation in concrete.
Use with a 4" outdoor rated junction box
and a trade size 1" schedule 80 PVC pipe

1000-CON-PVC

REMOTE POWER SUPPLY

	Model	Input	Output	Dimmable	L	W	H
 PS Power Supply	0600A-UR6	120V-277V	6 Channel, UL Class 2 (Up to 6 fixtures per channel)	100%-1% ELV, TRIAC, 0-10V	10 $\frac{7}{8}$ "	3 $\frac{7}{8}$ "	1 $\frac{1}{4}$ "

Example: **PS-0600A-UR6**

Home-run wiring. Recommended maximum distance between power supply and compatible light fixture is shown in below table:

	18 AWG	16 AWG	14 AWG	12 AWG
Maximum distance between power supply and light fixture	100 ft	150 ft	200 ft	250 ft

wacighting.com

Phone (800) 526.2588

Fax (800) 526.2585

Headquarters, East Manufacturing Facility

44 Harbor Park Drive

Port Washington, NY 11050

South East Manufacturing Facility

1600 Distribution Ct

Lithia Springs, GA 30122

Central Manufacturing Facility

1700 South J Elmer Freeway, Ste 100

Cedar Hill, TX 75104

West Manufacturing Facility

1750 S Archibald Ave

Ontario, CA 91761