



KLM CO., LIMITED

Hi Lumen, Bye Watts.

www.klmighting.com



IP65 LED DOWNLIGHT



Why it is IP65 Waterproof LED Downlights?

A: 4MM thickness aluminum ring;

B: 90% luminousness PMMA cover;

C: Double waterproof rubber into downlights;

D: Waterproof plug model;



Feature

IP65 WATERPROOF

Best choice for high quality project using like for bathroom lighting, kitchen lighting, no dusk or moisture leak even after long time use.

BEST DIMMING

Supply TRIAC, 0~10V and DALI dimming type, compatible with C-BUS system as well as leading edge trailing edge and universal dimming.

SAMSUNG LED CHIP

Samsung light source with CRI up to 85 creating very smooth harmonious lighting effect.

LOW TEMPERATURE

Thick aluminum die casting fixture allows very low temperature, up to IC-F rated (AU&NZ Standard)

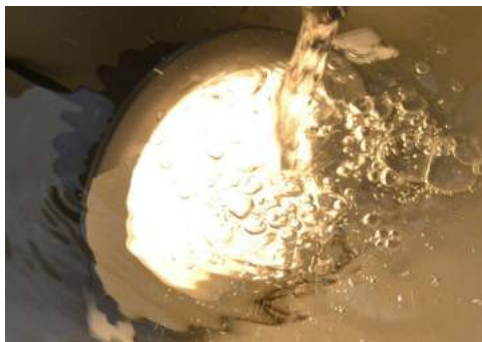
Temperature

- Operating temperature: $-20^{\circ}\text{C}\sim+40^{\circ}\text{C}$
- Storage temperature: $-30^{\circ}\text{C}\sim+60^{\circ}\text{C}$





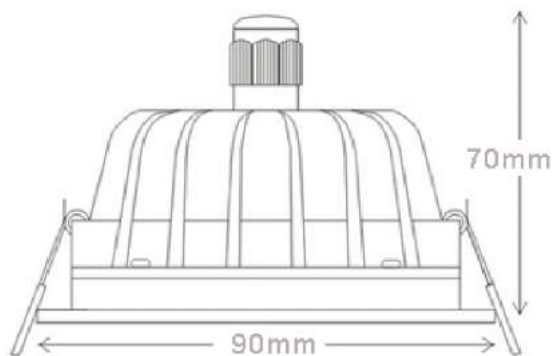
This IP65 LED Waterproof Downlight high quality LED downlight is the ideal choice for commercial and home lighting, adopting the Samsung SMD5630 chip with a CRI of 80+.



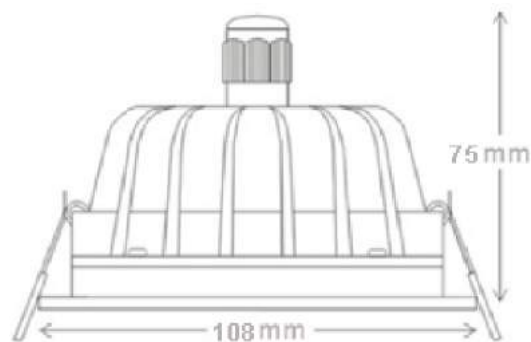
IP65 compliance and can be used in wet areas including above showers in bathrooms, outdoor in soffits, alfresco's etc.

The compact size and high lumen output makes this downlight one of the best in its class.

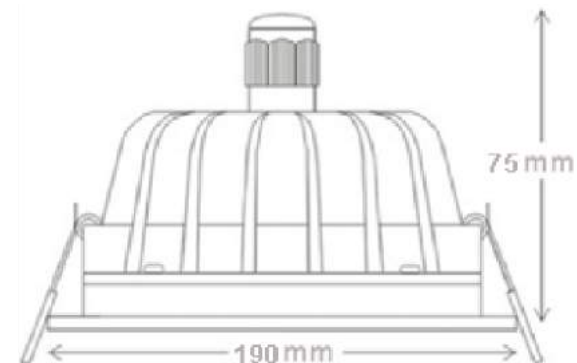
IP65 LED DOWNLIGHT Series Size



KLM-HPSN-5/7W



KLM-HPSN-10/12/15W



KLM-HPSN-18/20/24W

