



KLM CO.,LIMITED

Hi Lumen, Bye Watts.

www.klmlighting.com



SMD LED DOWNLIGHT



IP20



Feature

IP20 COB/SMD DOWN LIGHT

Fixed module with Die casting aluminum .

BEST DIMMING

Supply TRIAC, 0~10V and DALI dimming type, compatible with C-BUS system as well as leading edge trailing edge and universal dimming.

LED CHIP

CREE COB / SAMSUNG SMD with CRI up to 80 creating very smooth harmonious lighting effect.

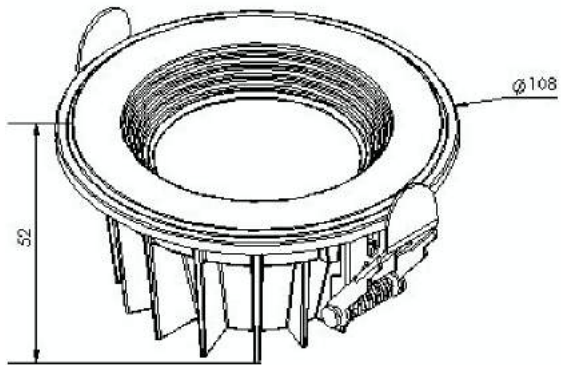
LOW TEMPERATURE

Thick aluminum die casting fixture allows very low temperature.

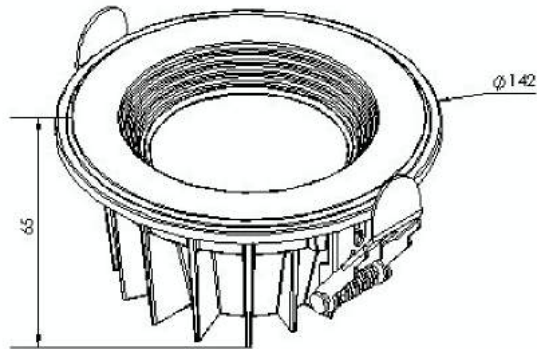
Temperature

- Operating temperature: -20°C~+40°C
- Storage temperature: -30°C~+60°C

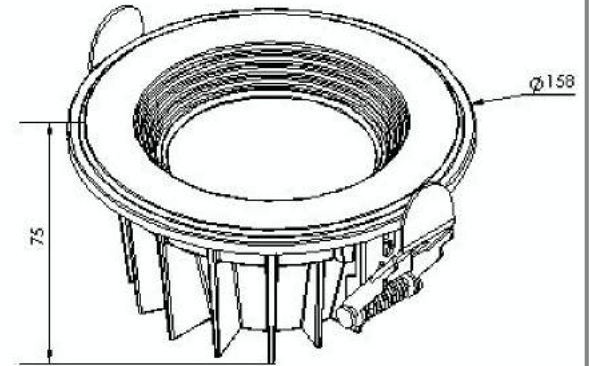
SMD/COB — KLM-NHPSN-Series



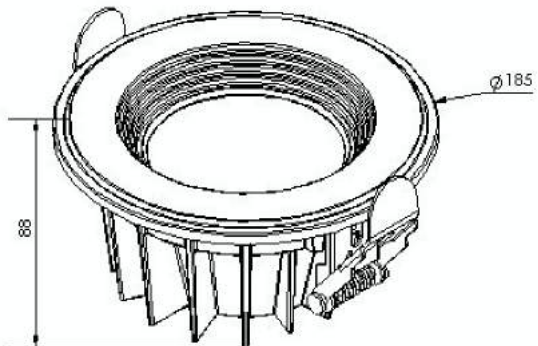
KLM-NHPSN-9W



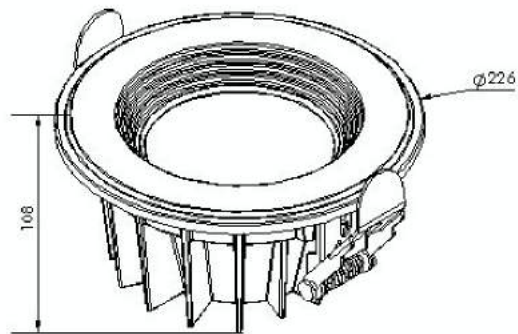
KLM-NHPSN-15W



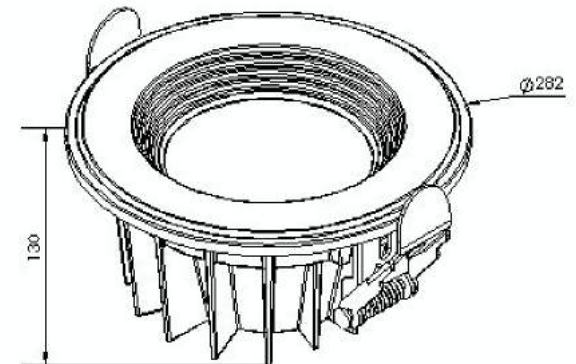
KLM-NHPSN-20W



KLM-NHPSN-25W



KLM-NHPSN-30/35W



KLM-NHPSN-40/45W

